



COMMERCIAL LED SHOEBOX FIXTURE

The MCLED SLIM LED SHOEBOX fixture provides robust industrial design to replace existing Metal Halide and HPS Fixtures. With a slim thermal heat sink design, the fixture includes:

- **Commercially Rated Meanwell Power Supply**
- **CREE LED High Performance Chips**
- **Versatile Industrial Slip Fit Mount (Surface Mount Avail.)**

MCLED's Shoebox is designed to deliver high lumen output and even light distribution through its high performance optics. The luminaire mounts both horizontal and vertical with the ability to aim upwards providing more versatility in one fixture.



SPECIFICATION FEATURES

CONSTRUCTION

- Cast Aluminum Body
- Engineered Body Heat Sink
- Industrial Slip Fit Pivot Arm

OPTICS

- Type III
- Type V

MOUNTING

- Adjustable Slip Fit
- Surface Mount

FINISH

- Bronze
- Grey
- Black
- White

CERTIFICATION DATA

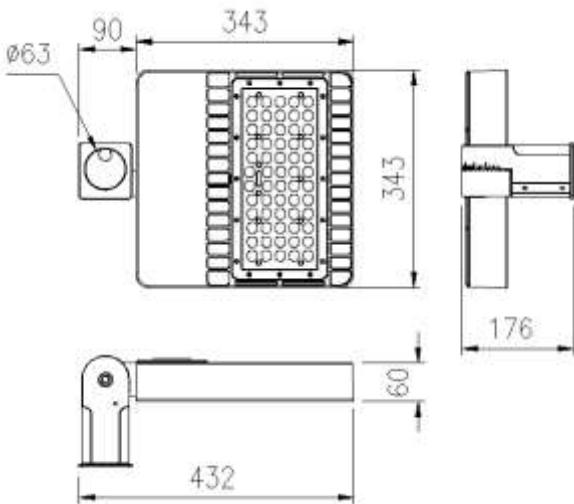
- IES LM 79/ LM80 Tested
- UL/cUL 1598C Certified
- DLC DesignLights™ Consortium Listed



PRODUCT DETAILS

PRODUCT CODE	WATTAGE	TYPE	INPUT VOLTAGE	CCT	BODY FINISH	DISTRIBUTION	PHOTOCELL	INITIAL LUMENS	CRI
MC	150W	SHOB	1 - 110-277VAC 2 - 250-480VAC	40K - 4000K 50K - 5000K	BZ - BRONZE G - GREY BL - BLACK W - WHITE	3 - Type III 5 - Type V	P - PHOTOCELL	17,250	80

PRODUCT SPECIFICATIONS



ORDERING INFORMATION

SAMPLE: MC-150W-SHOB-1-40K-BZ-3-P

MC	150W	SHOB	1	40K	BZ	3	P
Model	Wattage	Type	Input Voltage	CCT	Finish	Distribution	Photocell
MC	150W	SHOB	1 - 110-277VAC 2 - 250-480VAC	40K - 4000K 50K - 5000K	BZ - Bronze G - Grey BL - Black W - White	3 - Type III 5 - Type V	P - Photocell